

Product Type: Catchpit Chambers

Model: AICCP300160B

300mm diameter, pre-assembled catchpit chamber, delivered ready to install. This model has a rotational moulded chamber base with 110mm or 160mm main channel socket connections including two further 110mm side inlets at 90°, 270° from the outlet at 0°. Side inlets are supplied as blanked ends that can be used as required.

Application

- Above ground access for inspection and maintenance of surface water pipe systems.
- Suitable for Adoptable and Non-Adoptable applications.
- Maximum installation depth to soffit of pipe - Adoptable 3000mm and Non-Adoptable 3000mm.

Built to the following standards

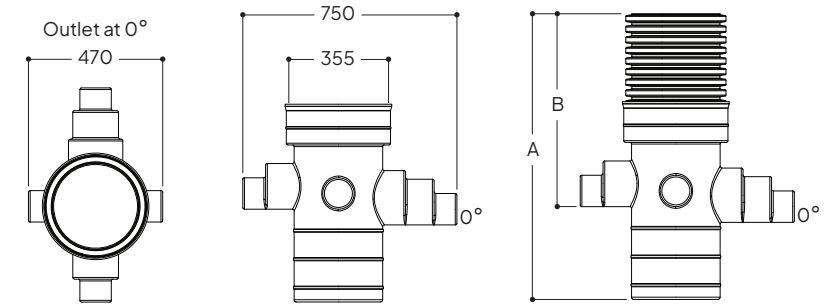
- Design & Construction Guidance (DCG) - Type D & E Chambers
- Buildings Regulations part H
- BS EN 13598-1 & 2
- BS EN 681-1

Features

- Single piece, pre-assembled chambers.
- Durable rotational moulded LLDPE base - chemical and impact resistant.
- 300mm sump depth.
- Compatible with all UK Twinwall pipe systems.
- Profiled base which improves overall strength.
- Base and three standard depths available.
- Access shafts are easily cut onsite to the required depth.
- Chambers can be installed in granular backfill.

Quality Assurance

Before leaving our factory, chambers are tested in accordance to required standards.



Model ref.	Main Pipework Connections Ø (mm)	Optional Side Inlets Ø (mm)	Overall Depth A (mm)	Inlet Invert B (mm)	Approx. Weight (kg)
AICCP300160B (Base)	110, 160	110	690	350	3.5
AICCP300160B/1	110, 160	110	1025	695	6.5
AICCP300160B/1.5	110, 160	110	1475	1145	11.5
AICCP300160B/2	110, 160	110	1995	1665	17

- Inlet Invert measurements accurate to main channel socket. This measurement will vary depending on pipework used.

Ancillaries



Access Cover: 300ACST

The 300ACST situates onto the access shaft with clear access allowing a catchpit bucket to be removed through the access cover.



Catchpit Bucket: 300CPB

The 300CPB is designed to catch silt and debris before entering the surface water pipe system. The bucket features an extendable lifting handle allowing for ease of access for cleaning and maintenance.

(See separate data sheets for ancillaries)