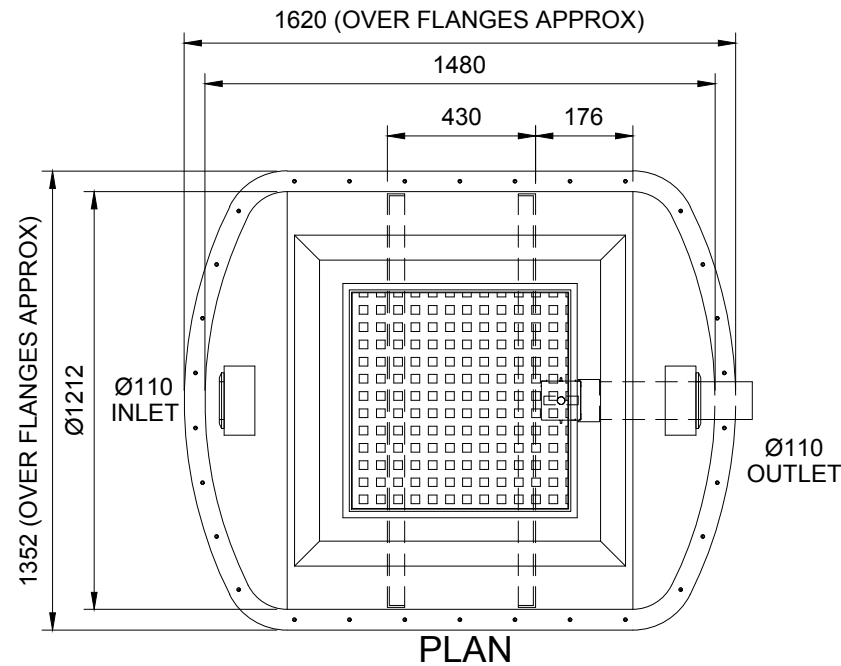


GENERAL NOTE:

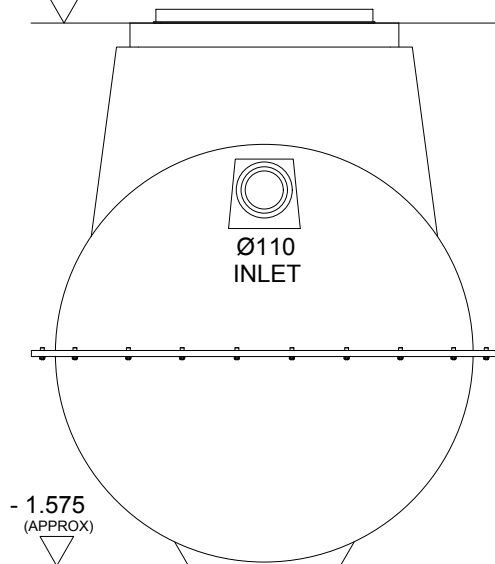
All tanks are subject to a 2.5% tolerance on all dimensions.
Any internals (if shown) are for guidance only, and may vary due to individual specifications.



DATUM
0.000

DATUM
0.000

600 x 600 BLACK ACCESS COVER



Ø110 INLET
- 0.540

Ø110 OUTLET
- 0.600

Ø110 OUTLET

VIEW ON INLET

SIDE ELEVATION

VIEW ON OUTLET

REV	DESCRIPTION	DATE	SIG	REV	DESCRIPTION	DATE	SIG	REV	DESCRIPTION	DATE	SIG	ORIG.	CHRD.	APPD.	SCALE	DATE	CLIENT	TITLE	DRG.	REV
A	For Approval	04.01.15	P.L.												N.T.S.	04.01.2015	MARSH INDUSTRIES LTD.	MARSH ENSIGN ULTRA 4PE (FOUR PERSONS) GRAVITY OUTLET EN12566-3:2011	EN4 ULTRA STD	A

THIS DRAWING IS THE PROPERTY OF MARSH INDUSTRIES LTD. AND MUST NOT BE REPRODUCED OR CIRCULATED FOR ANY PURPOSE WHATSOEVER WITHOUT FIRST OBTAINING WRITTEN CONSENT FROM MARSH INDUSTRIES LTD.

UNITS 9-13 ADDINGTON PARK IND. EST., LITTLE ADDINGTON, KETTERING, NORTHAMPTONSHIRE, NN14 4AS.