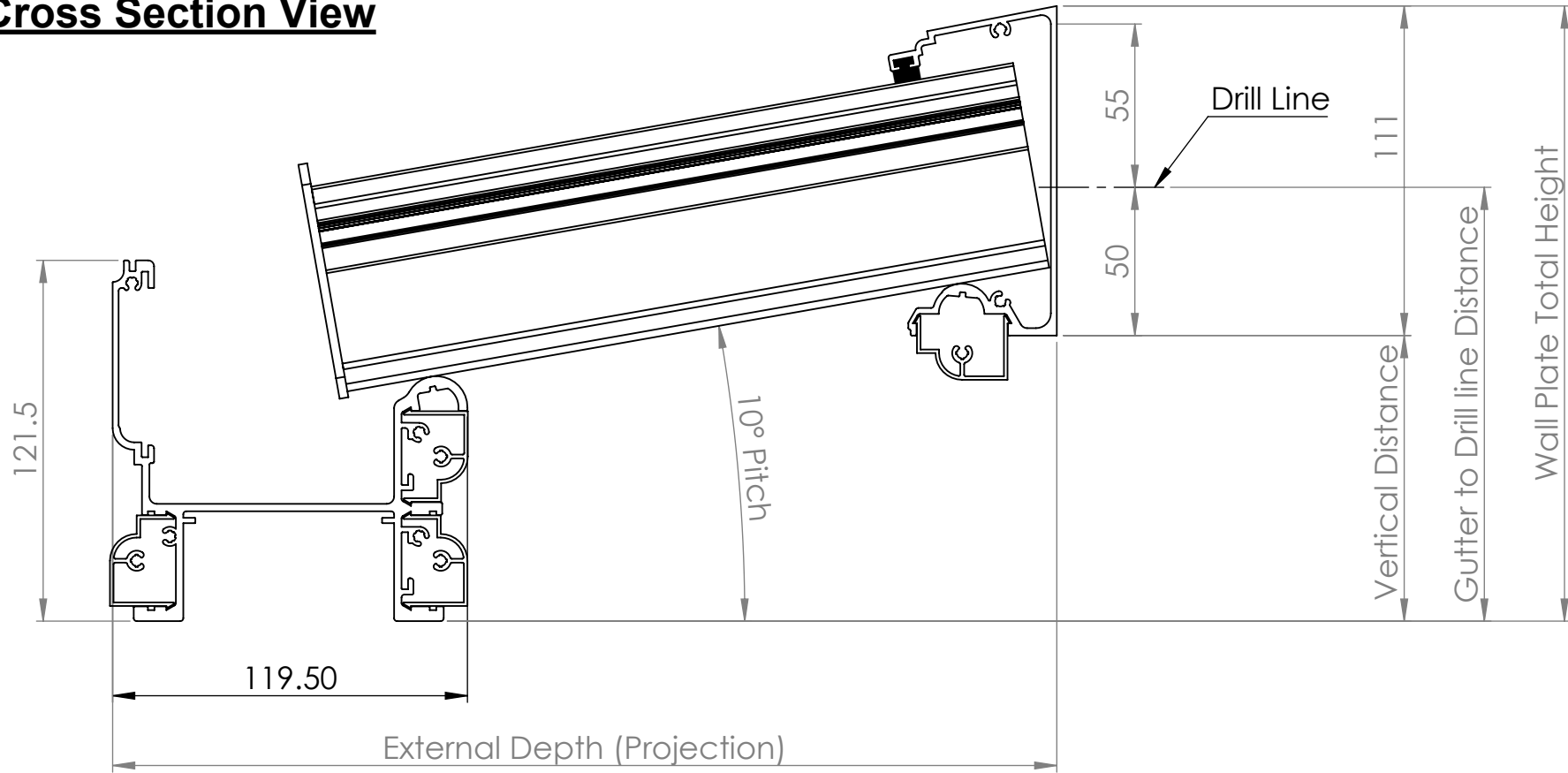


# Cross Section View

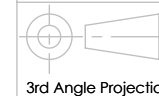


**Example distance to appropriate drill hole on wall plate 10 degree roof pitch.**



**MILWOOD GROUP**

Pitch Chart Calculator Simplicity 6



3rd Angle Projection

Page	Date	Page Size	Scale	Drawn
1 OF 2	26/08/22	A4 (L)	NTS	LS
Finish	Issuer	(Tol) +/-	Sequence	Revision
PPC	ACS	1 mm	000001	V1.9

This drawing and the product it displays is the sole property of Milwood Group. Any reproduction of the drawing or product without the written permission of Milwood Group is prohibited.

# Simplicity 6 Pitch Calculator

Pitch°	2.5°	5°	7.5°	10°	12.5°	15°	17.5°	20°	22.5°	
(Projection) (mm)	1000	102	140	178	216	255	295	336	378	421
	1250	113	162	211	261	311	362	415	469	524
	1500	124	184	244	305	366	429	493	560	628
	1750	135	206	277	349	422	496	572	651	731
	2000	146	228	310	393	477	563	651	742	835
	2250	157	249	343	437	533	630	730	833	939
	2500	168	271	376	481	588	697	809	924	1042
	2750	179	293	408	525	643	764	888	1015	1146
	3000	190	315	441	569	699	831	966	1106	1249
	3200	199	333	468	604	743	885	1029	1178	1332
3500	212	359	507	657						

WE RECOMMEND A MINIMUM HEIGHT OF 2100MM FROM FFL TO THE UNDERSIDE OF THE GUTTER

## Example Calculation

Given that the projection is **1000mm**, for the minimum pitch of **2.5°** you will need a measurement of **102mm** between the underside of the gutter and the underside of the wall plate.



**MILWOOD GROUP**

Pitch Chart Calculator Simplicity 6

ALL DIMENSIONS ABOVE IN MM



3rd Angle Projection

Page	Date	Page Size	Scale	Drawn
2 OF 2	26/08/22	A4 (L)	NTS	LS
Finish	Issuer	(Tol) +/-	Sequence	Revision
PPC	ACS	1 mm	000001	V1.9

This drawing and the product it displays is the sole property of Milwood Group. Any reproduction of the drawing or product without the written permission of Milwood Group is prohibited.