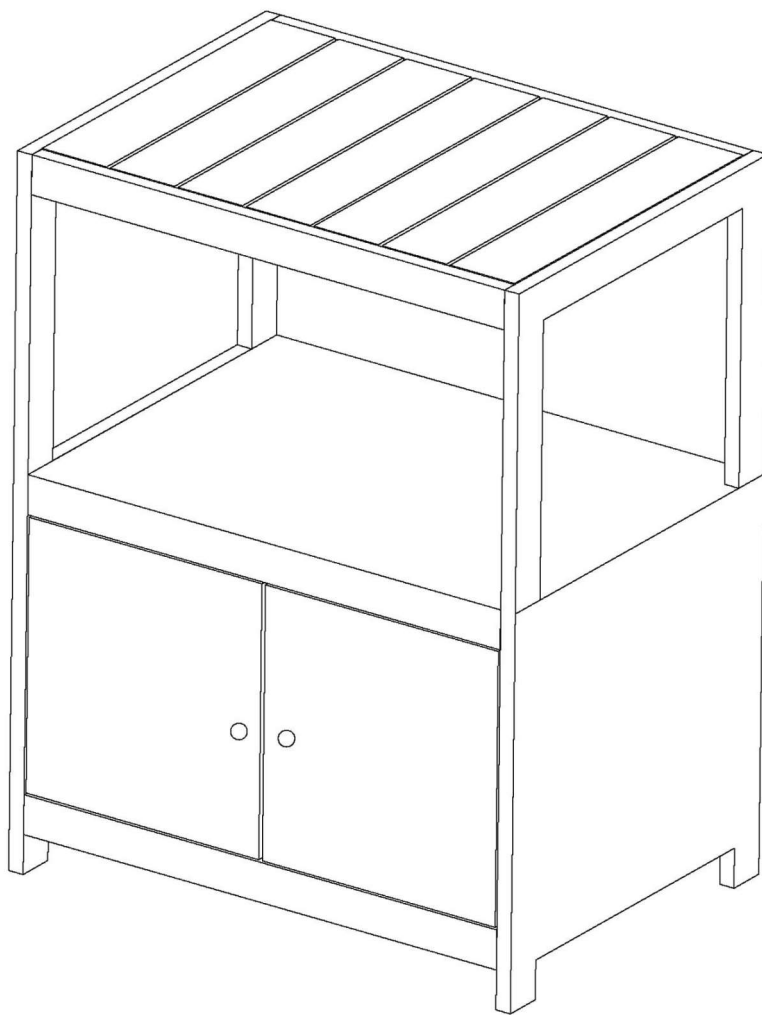


---

# Outdoor Kitchen Cabinet



## Assembly Instructions



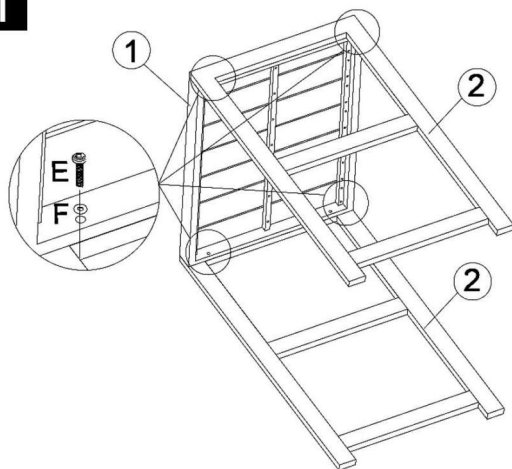
p.1

# Outdoor Kitchen Cabinet

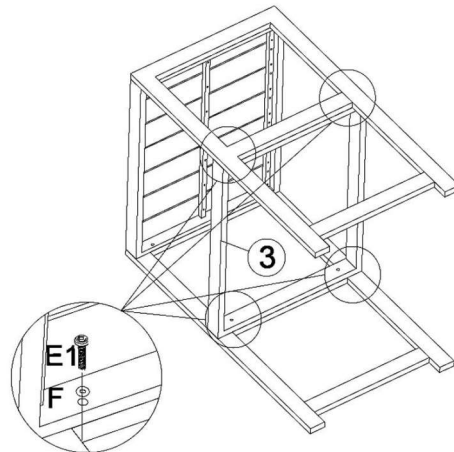
## Assembly Instructions

No.		Qty	No.		Qty
1		1	E	 M6*30	4
2		2	E1	 M6*35	12
3		1	F	 M6	16
4		1	G	 S4-M6	1
5		2	H	 Plastic gasket	4
6		1			

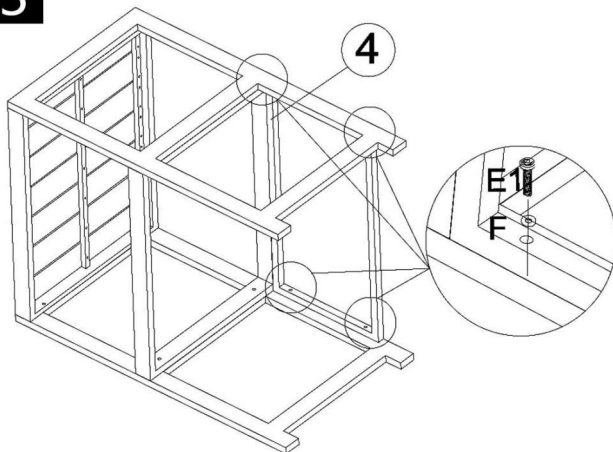
1



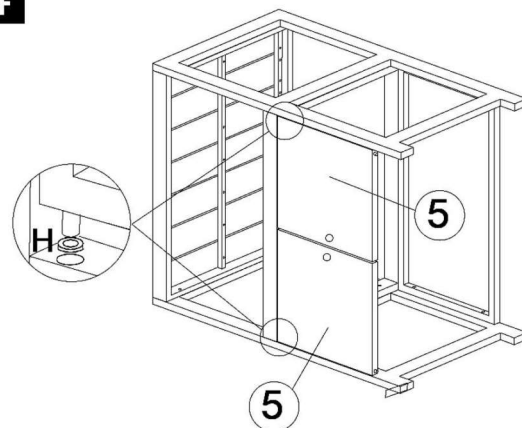
2



3



4

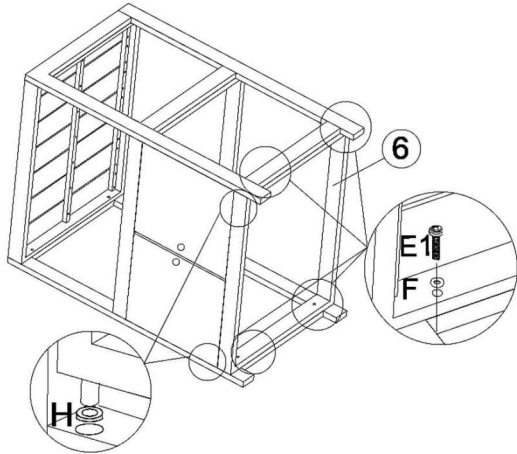


p.2

# Outdoor Kitchen Cabinet

## Assembly Instructions

5



6



Tip - Do not fully tighten the bolts until the item is fully assembled.