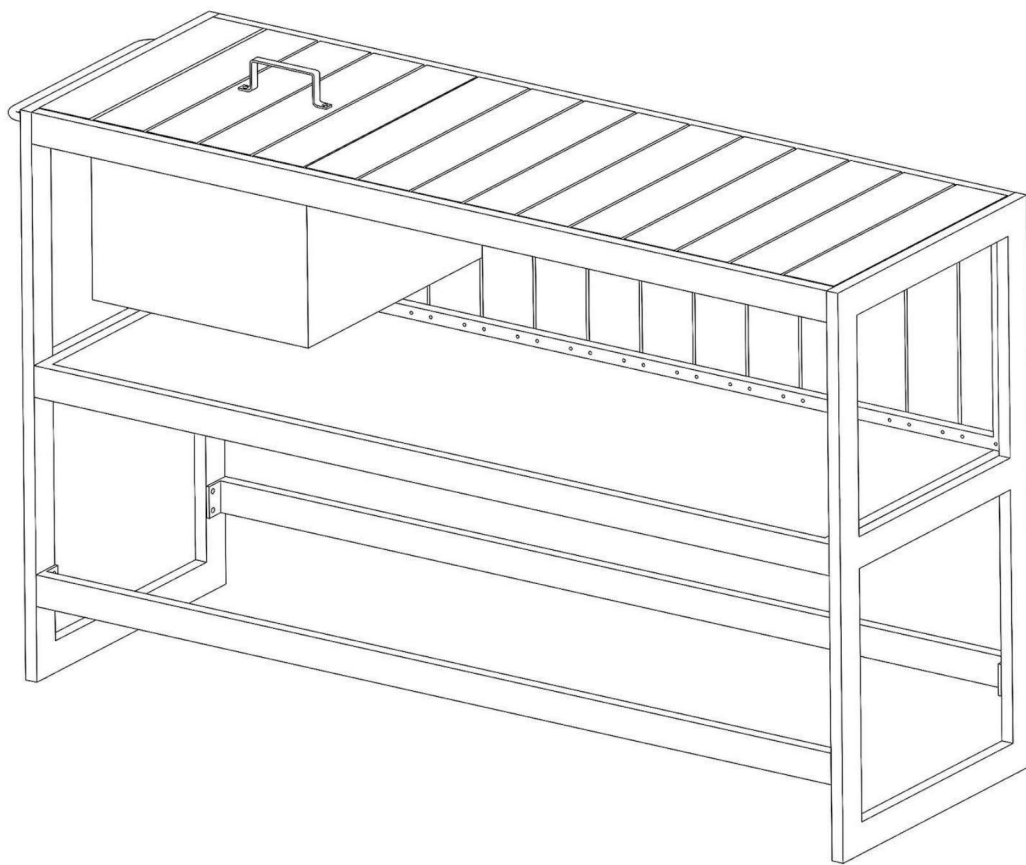

Outdoor Kitchen Worktop Unit

Assembly Instructions

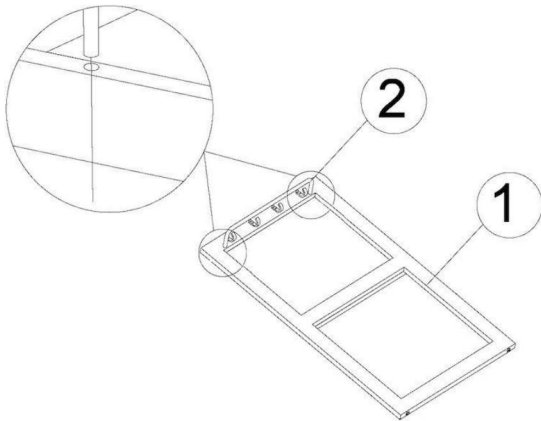


Outdoor Kitchen Worktop Unit

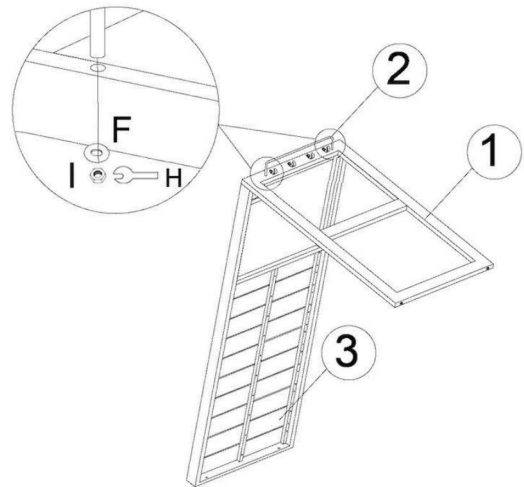
Assembly Instructions

No.		Qty	No.		Qty
1		1	E	 M6*30	2
2		1	E1	 M6*35	8
3		1	E2	 M6*20	8
4		1	F	 M6	20
5		1	G	 S4-M6	1
6		1	H	 M6	1
7		2	I	 M6	2
8		1			
9		1			

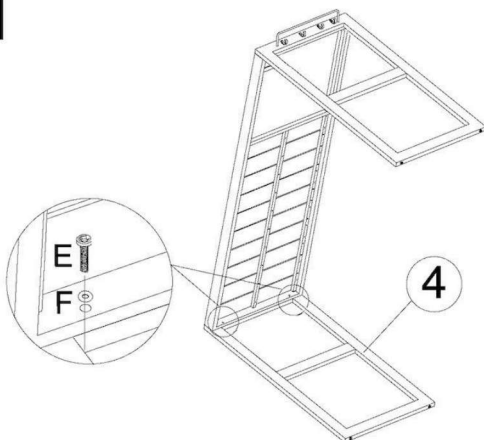
1



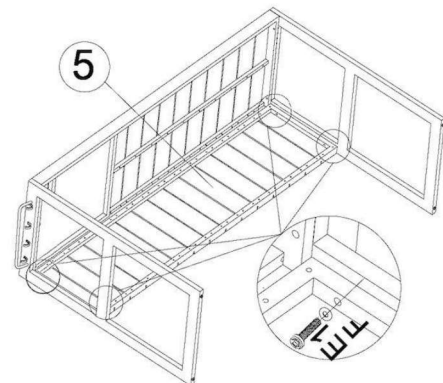
2



3

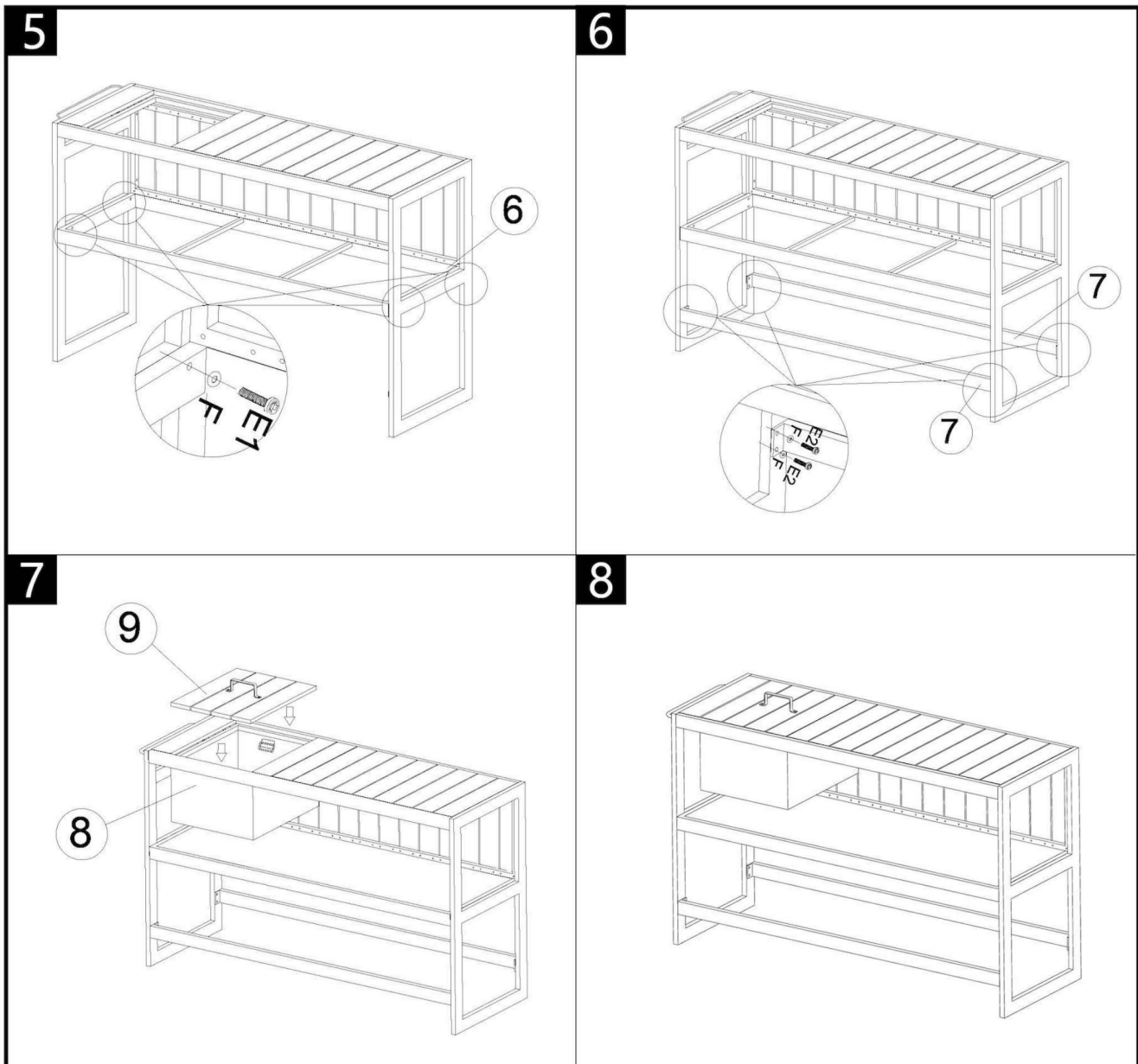


4



Outdoor Kitchen Worktop Unit

Assembly Instructions



Tip - Do not fully tighten the bolts until the item is fully assembled.